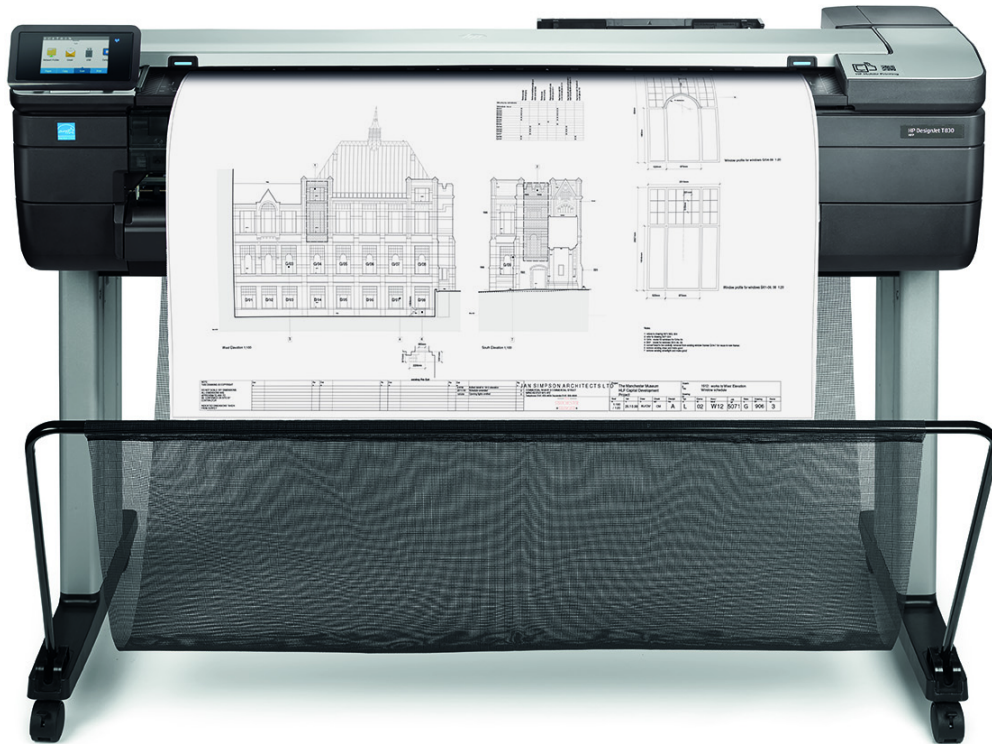




HP DesignJet T830 Multifunction Printer

Communicate more effectively – no learning curve needed – with print plus scan and copy capabilities



CONVENIENT – Fast, agile, intuitive print/scan/copy

- Enjoy easy installation in the office, construction job site with the most compact 36-in large-format MFP.¹
- Easily print project sets and PDF documents with HP Click printing software.
- Anyone can print smoothly from a smartphone or tablet with HP Mobile Printing.²
- Fit your print volume – choose from a variety of 40/130/300-ml colour and 69/300-ml black HP ink cartridges.

TRUSTED – HP DesignJet quality and reliability

- Get HP DesignJet quality also in small-format sizes – print half-size documents with 50-sheet A4/A3 input tray.
- Smart scanning technology protects originals from damage when scanning and obtains precise colors.
- Achieve precise lines up to 0.1% line accuracy³, sharp detail up to 2400 dpi or down to 0.02 mm line width.
- Reinforced design and strong legs for easy transport and use at the job site.

COMMUNICATION – Immediately share meeting results

- Use built-in scanner to copy and distribute sketches and hand-annotated drawings to peers/partners right away.
- Share drawings immediately – scan/email from front panel, use HP Smart app⁴ to email contacts, post to cloud.
- Easily link your computer, smartphone, or tablet to the printer with Wi-Fi Direct.
- No learning curve – with the intuitive design of a single touchscreen, you can scan, copy, and share instantly.

For more information, please visit <http://www.hp.com/go/designjett830>

Dynamic security enabled printer. Only intended to be used with cartridges using an HP original chip. Cartridges using a non-HP chip may not work, and those that work today may not work in the future. More at: <http://www.hp.com/go/learnaboutsupplies>

¹ The HP DesignJet T830 24-inch (619 mm) and 36-inch (914 mm) Multifunction Printers are the most compact large-format devices performing print/scan/copy functions based on H x W x L specifications published as of May, 2017.

² Local printing requires mobile device and printer to be on the same network (usually Wi-Fi access points bridge wireless to wired connections) or have a direct wireless connection. Wireless performance is dependent on physical environment and distance from access point. Wireless operations are compatible with 2.4 GHz operations only. Remote printing requires an Internet connection to an HP web-connected printer. Wireless broadband use requires separately purchased service contract for mobile devices. Check with service provider for coverage and availability in your area. See <http://www.hp.com/go/designjetmobility> for more details.

³ ±0.1% of the specified vector length or ±0.2 mm (whichever greater) at 23° C, 50-60% relative humidity, on A1/D HP printing material in Best mode with HP Heavyweight Coated roll feed and Original HP Bright Office Inks.

⁴ The HP Smart app is available for Apple® iPad, iPhone, and iPod Touch running iOS v7.0 or later and for Android™ mobile devices running Android™ v4.4 or later. The HP Smart app is available for free from the Apple® App Store for Apple® mobile devices and from the Google Play Store for Android™ mobile devices.

Technical specifications

Print	
Print resolution	Up to 2400 x 1200 optimised dpi
Technology	HP Thermal Inkjet
Margins	Roll: 5 x 5 x 5 mm Sheet: 5 x 5 x 5 mm
Ink types	Dye-based (C, M, Y); Pigment-based (mk)
Printheads	1 (cyan, magenta, yellow, matte black)
Printhead nozzles	1376
Line accuracy	±0.1% ²
Minimum line width	0.02 mm (HP-GL/2 addressable)
Multifunction capabilities	
Scan speed	Up to 3.81 cm/sec (colour, 200 dpi) Up to 11.43 cm/sec (greyscale, 200 dpi)
Scan resolution	Up to 600 dpi
Maximum scan size	914 mm x 2.77 m
Thickness	0.8 mm
Scan format	JPEG, PDF, TIFF
Scan destinations	Scan to email, scan to cloud (through HP Smart app), network, USB, computer, mobile
Media	
Handling	Sheet feed, roll feed, input tray, media bin, automatic cutter
Sheet size	Input tray: 210 x 279 to 330 x 482 mm Manual feed: 330 x 482 to 914 x 1897 mm Roll: 279 to 914 mm
Roll size	210 to 914-mm wide sheets 279 to 914-mm rolls
Standard sheets	Input tray: A4, A3 Manual feed: A2, A1, A0
Grammage	60 to 280 g/m ² (roll/manual feed); 60 to 220 g/m ² (input tray)
Thickness	(Up to 0.3 mm)
Applications	Line drawings; Renderings; Presentations
Memory	1 GB
Hard disk	None
Connectivity	
Interfaces	Gigabit Ethernet (1000Base-T); Wi-Fi 802.11b/g/n; Wi-Fi Direct; USB Type-A host port
Print languages (standard)	TIFF, JPEG, CALS G4, HP-GL/2, HP-RTL, URF
Printing paths	Windows and Mac printer drivers, Apple AirPrint, HP Print Service Plugin for Android, HP Print for Chrome app for Chrome OS
Drivers	Raster driver for Windows and macOS HP-GL/2, HP-RTL drivers for Windows
Dimensions (w x d x h)	
Printer	1403 x 629 x 1155 mm
Shipping	1578 x 570 x 645 mm
Weight	
Printer	62.5 kg
Shipping	85 kg
What's in the box	HP DesignJet T830 36-in MFP; Printhead; Ink cartridges; Printer stand; Spindle; Quick reference guide; Setup poster; Startup software; Power cord; Refeed preventers
Environmental ranges	
Operating temperature	5 to 40°C
Operating humidity	20 to 80% RH
Storage temperature	-25 to 55°C
Acoustics	
Sound pressure	48 dB(A)
Sound power	6.5 B(A)
Power	
Consumption	35 watts (printing), 3.5 watts (sleep), 0.2 watts (standby)
Requirements	Input voltage (auto ranging): 100-240 V (±10%), 50/60 Hz (±3 Hz), 1.2 A max
Certification	
Safety	EU (LVD and EN 60950-1 compliant); Russia (EAC)
Electromagnetic	Compliant with Class B requirements, including: EU (EMC/R&TTE Directives)
Environmental	ENERGY STAR, EPEAT Silver, CE marking (including RoHS, WEEE, REACH). In compliance with RoHS materials restriction requirements in Turkey, Serbia, and Ukraine.
Warranty	Two-year limited warranty. Warranty and support options vary by product, country and local legal requirements.

Ordering information

Product	
F9A30A	HP DesignJet T830 36-in Multifunction Printer
Accessories	
B3Q37A	HP DesignJet 36-in Spindle
N7P47AA	HP USB 3.0 to Gigabit LAN Adapter
Original HP printing supplies	
F9J81A	HP 729 DesignJet Printhead Replacement Kit
F9J61A	HP 728 40-ml Yellow DesignJet Ink Cartridge
F9J62A	HP 728 40-ml Magenta DesignJet Ink Cartridge
F9J63A	HP 728 40-ml Cyan DesignJet Ink Cartridge
F9J64A	HP 728 69-ml Matte Black DesignJet Ink Cartridge
F9J65A	HP 728 130-ml Yellow DesignJet Ink Cartridge
F9J66A	HP 728 130-ml Magenta DesignJet Ink Cartridge
F9J67A	HP 728 130-ml Cyan DesignJet Ink Cartridge
F9J68A	HP 728 300-ml Matte Black DesignJet Ink Cartridge
F9K15A	HP 728 300-ml Yellow DesignJet Ink Cartridge
F9K16A	HP 728 300-ml Magenta DesignJet Ink Cartridge
F9K17A	HP 728 300-ml Cyan DesignJet Ink Cartridge

Use Original HP inks and printheads, and HP large format printing materials, to experience consistent high quality and reliable performance that enable less downtime. These critical components are designed and engineered together as an optimized printing system, and Original HP inks are designed to maximize the life of HP printheads. Protect your HP printer investment by using Original HP inks for full HP warranty protection. For more information, visit hp.com/go/OriginalHPInks.

For the entire HP Large Format Printing Materials portfolio, please see HPLFMedia.com.

Service and Support

UC744E HP Network Installation Service for DesignJet low-end series
 U1XV4E HP Preventive Maintenance Service
 U8TY8E HP 2 year Next Business Day DesignJet T830 HW Support
 U8PH9E HP 3 year Next Business Day DesignJet T830 HW Support
 U8TY9E HP 4 year Next Business Day DesignJet T830 HW Support
 U8PH4E HP 5 year Next Business Day DesignJet T830 HW Support
 U8PH5PE HP 1 year Post Warranty Next Business Day DesignJet T830 HW Support
 U8TZOPE HP 2 year Post Warranty Next Business Day DesignJet T830 HW Support
 HP DesignJet Support Services offer installation, maintenance, and extended support services (e.g. 2, 3, 4 and 5 years). For more information, please visit hp.com/go/cpc

ECO highlights

- ENERGY STAR[®] certified¹ and EPEAT[®] Silver registered²
- Free, convenient HP ink cartridge recycling³
- FSC[®]-certified papers⁴ and a range of recyclable HP media with a take-back program⁵

Please recycle large-format printing hardware and printing supplies. Find out how at our website: <http://www.hp.com/ecosolutions>

¹ ENERGY STAR and the ENERGY STAR mark are registered trademarks owned by the U.S. Environmental Protection Agency.
² EPEAT[®] registered where applicable. EPEAT registration varies by country. See <http://www.epeat.net> for registration status by country.
³ Program availability varies. Please check <http://www.hp.com/recycle> for details.
⁴ BMG trademark license code FSC[®]-C115319, see <http://www.fsc.org>. HP trademark license code FSC[®]-C017543, see <http://www.fsc.org>. Not all FSC[®]-certified products are available in all regions.
⁵ Many HP printing materials are recyclable through commonly available recycling programs. For information about HP large format printing materials, please visit <http://www.HPLFMedia.com>.

